

Compliance
ISO13485



For more information, please contact:
ZUMAX MEDICAL CO., LTD.

5 Zhiying Street, Suzhou New District,
Suzhou, Jiangsu, P.R.China 215129
Tel: +86 512 6665 0512 ext.502/504/510
Fax: +86 512 6690 9655
<http://www.zumaxmedical.com>
Email: sales@zumaxmedical.com

zumax

Zumax Medical
Beyond Vision



CLS3080 Colposcope

► www.zumaxmedical.com



THE MICROSCOPE OF ZUMAX,
BEYOND YOUR VISION LIMITS.

ZUMAX

Excellent optics

Lens are made of imported glass from Germany to reduce the optical aberration. All of the lenses are multi-coated and anti-reflective.



5-step magnification changer

The magnification changer knobs are on both sides of the microscope body. They allow fast and convenient changes and enable brilliant images ranging from an overview of an entire arch to high magnification for a precision inspection.



Integrated LED, cold-light source

LEDs present many advantages over Halogen or Xenon light sources including lower energy consumption, longer lifetime, improved robustness and greater durability and reliability. In addition, LEDs operate at a safe, low voltage, instead of the 20K volts commonly found in Xenon lighting. They also have a light temperature characteristic of natural daylight.



Integrated VarioDist Objective Lens

Working Distance: 250~400mm



Integrated Full HD camera

Zumax brings you outstanding HD resolution and superior color performance at the right price. The camera delivers native 1080p/60p resolution from HDMI output with increased resolution up to 900 TV lines.

- ▶ Integrated Full HD video camera with 1920×1080P video resolution
- ▶ Newly-developed 1/3 inch 3.0 mega-pixels HD CMOS sensor
- ▶ With HDMI output
- ▶ 1080/60I,1080/30P

Cable-free, easy cleaning,
less cross infection

A customized mount to examination
chairs are available.



Powerful accessories (Option)

A.



Beam Splitter (2:8 or 5:5)

+



Nikon/Canon/Sony SLR Camera Adapter

+



Nikon/Canon/Sony SLR Camera

+



Wireless Foot Pedal for Nikon/Canon/Sony SLR camera

B.



Beam Splitter (2:8 or 5:5)

+



Mobile Phone Adapter

+



Cover for Mobile Phone (Iphone, Samsung, Huawei etc.)

+



Wireless Foot Pedal for Mobile Phone

C.



Integrated full HD video camera

+

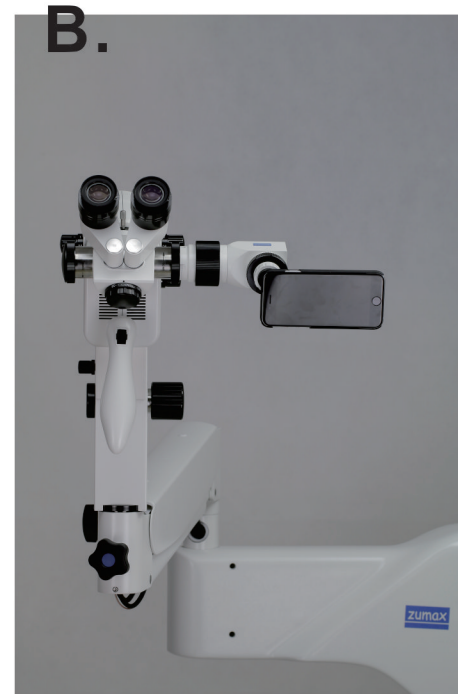


Bracket for Monitor

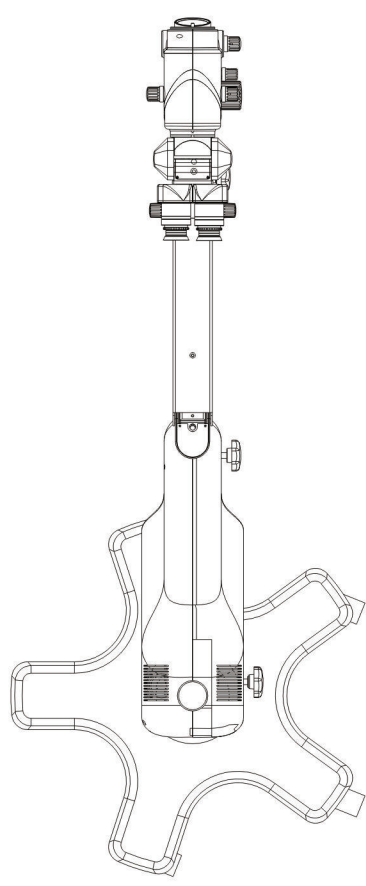
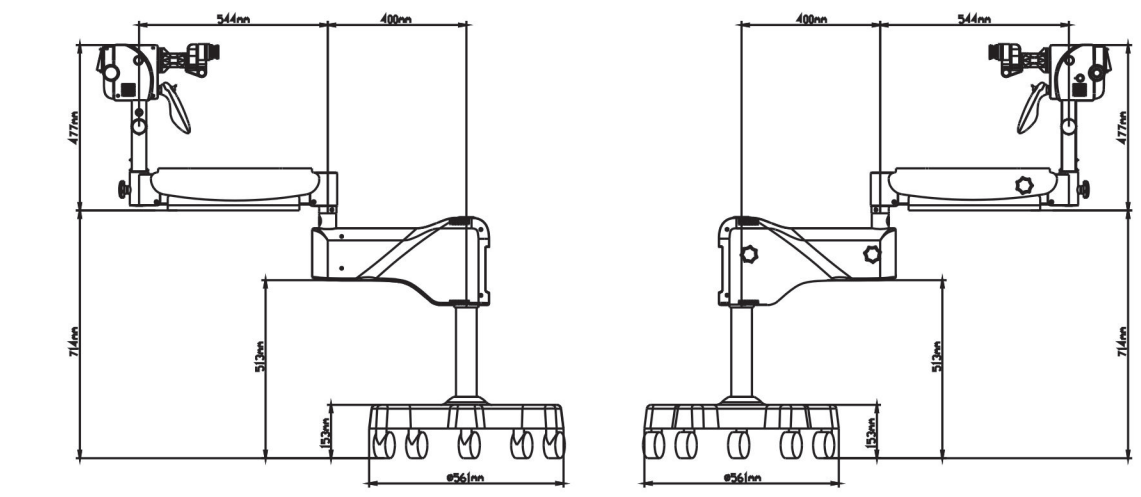
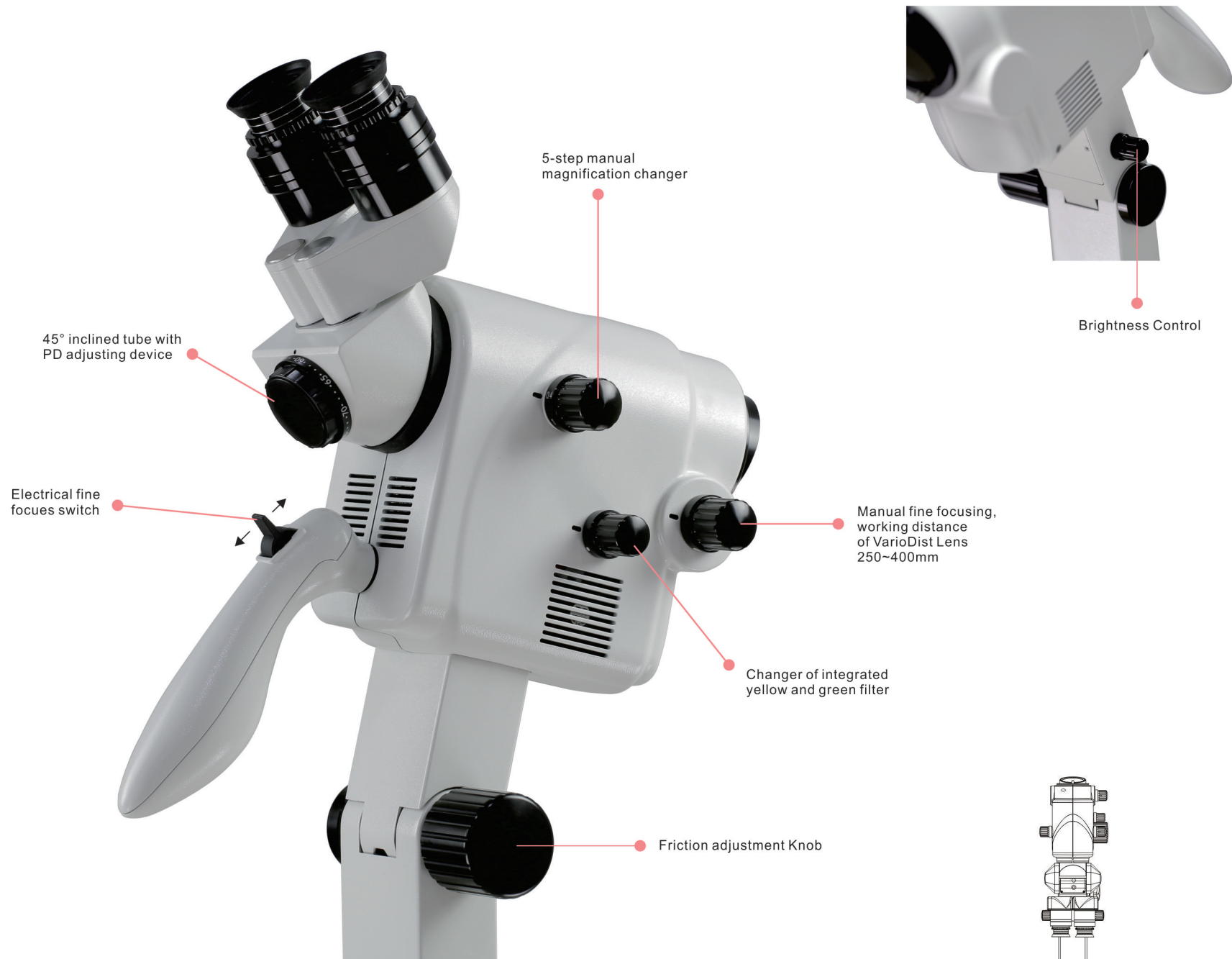
+



Monitor



ZUMAX



Technical Data

Basic Configuration

Magnification system	5-step manual magnification changer $\gamma = 0.4x, 0.6x, 1.0x, 1.6x, 2.5x$
Tubes	45° inclined binocular tube, f=170mm
Eyepieces	12.5x wide-field eyepieces also suitable for eyeglass wearers
Focus	integrated VarioDist Objective Lens Variable working distance 250~400mm motorized and manual focus
Illumination System	Integrated LED illumination, >40,000Lx, at working distance 300mm Yellow and green integrated filters
Construction	Floor Stand with "star" shaped base

Optional Configuration

Tubes	90° binocular tube, f=170mm
Eyepieces	10x, 16x, 20x
Integrated Video System	Full HD1080p WirelessHM full HD Video Transmission
External Video Solutions	Adapters for Canon/Sony/Nikon SLR camera Adapters for Sony NEX/a series camera Adapters for Canon/Sony Digital Camcorders Adapter for Endoscope Beam splitter 20%:80% or 50%:50% WirelessST Shutter foot pedal for SLR Camera WirelessST Shutter foot pedal for Mobile Phone

Factor of magnification changer	Working Distance	0. 4x	0. 6x	1x	1. 6x	2. 5x
Magnification	WD250	2.9x	4.5x	7.0x	11.2x	17.6x
	WD300	2.5x	4.0x	6.2x	9.8x	15.3x
	WD350	2.2x	3.5x	5.5x	8.7x	13.6x
	WD400	2.0x	3.2x	4.9x	7.8x	12.3x
Diameter of Field-of-view(mm)	WD250	78.1	50.3	31.3	19.5	12.5
	WD300	89.5	57.5	35.8	22.4	14.4
	WD350	100.6	64.6	40.3	25.2	16.2
	WD400	111.8	71.7	44.7	27.9	17.9