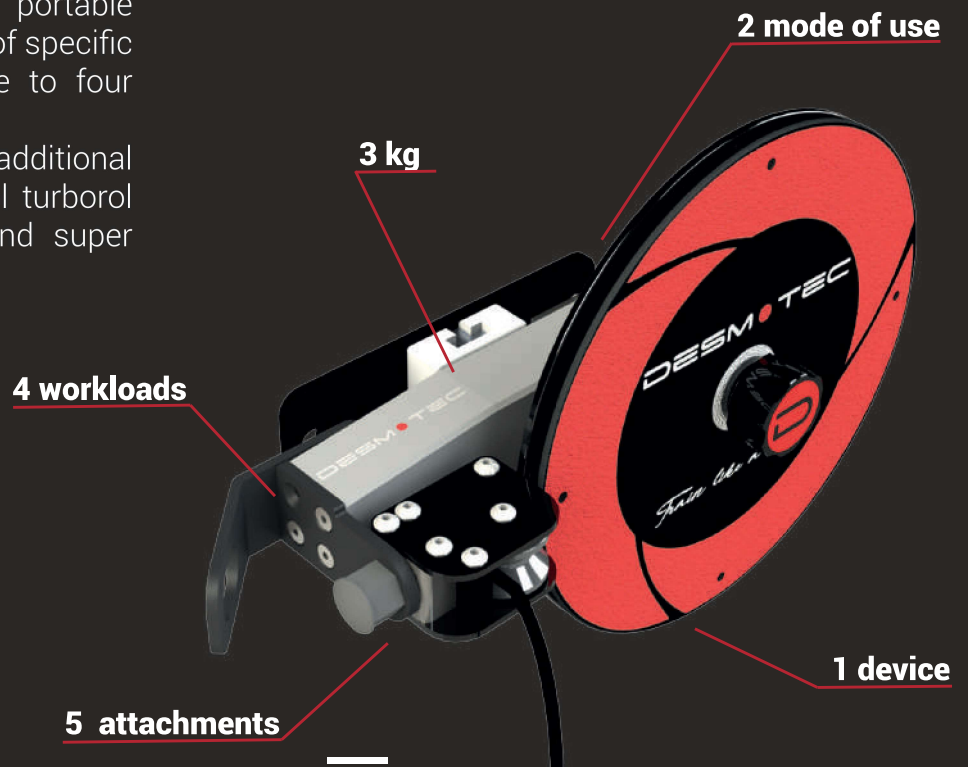


V.MINI

(cod. VM001BA)

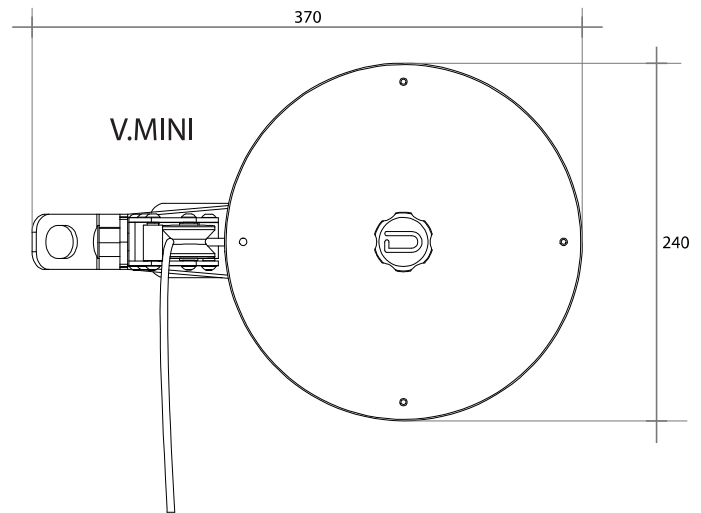
Super-light, compact and portable machine, suitable for any kind of specific and dynamic work. Adaptable to four different work intensities. Includes padded band for use, additional disc for overloading, additional turborol to duplicate the force line and super SLIM wall plate attachment.



DEVICE DIMENSIONS
370mm x 240mm x 120mm

PACKAGING WEIGHT AND DIMENSIONS
400mm x 300mm x 180mm - 6Kg

DEVICE WEIGHT
3,5Kg

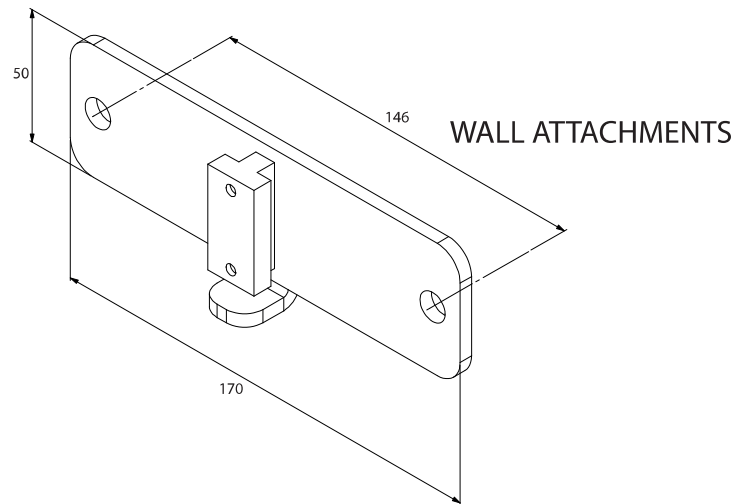


INCLUDED TOOLS:

N°1 WALL ATTACHMENT

N°1 HANDLE BAND

N°1 PULLEY RE-LAUNCH



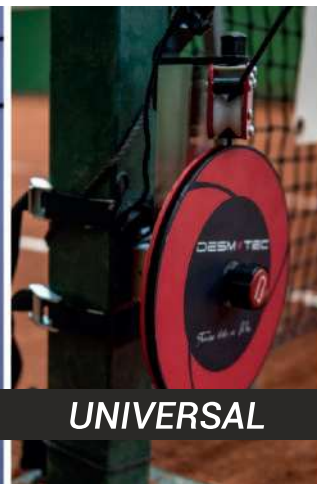
OPTIONAL ATTACHMENTS



WALL



WALLBAR



UNIVERSAL



RACK



GROUND

