

PENTALED 30E



RIMSA

Brightening Ideas



www.rimsa.it

LAMP MODEL PENTALED 30E

Cutting-edge solutions designed by our engineers combine revolutionary new technology with consolidated concepts, such as “WHITE LIGHT” and “INDIRECT LIGHT”, as used in the RIMSA PentaLED series.

E-Series is a highly innovative and superior performance line of scialytic lamps and is a natural evolution of the acclaimed PENTALED series.

PENTALED30E is especially recommended for operating theatres where the surgeon needs a small lamp to avoid interference with other overhead equipment. Excellent for oral and maxillofacial surgery and aesthetic plastic surgery.

It has 30 elliptical reflectors split into 6 modules, each containing 5 LEDs, providing 160,000 Lux.

The E-View system lets the surgeon adjust the extent of the lit field to get the right type of light for each surgical procedure.

INDIRECT LIGHT The indirect light provided by all PentaLED lamps guarantees cold light, depth and no stress or dazzling for the surgeon. This is due to especially calculated parabolic dishes that reflect the entire spectrum of light emitted by each LED lamp in a punctiform manner, without dispersion.

LIGHT ALWAYS ON FOCUS “E-View” is an innovative lens that lets the surgeon expand/narrow the illuminated operating field electronically, without altering the intensity of the light at the centre of the field (E_c). Adjustment of the luminous field is one of the priority requirements of a surgeon’s lamp.

ENDOLED

The EndoLed function provides comfortable lighting during endoscopic surgery. When enabled, this function lights up a single module whose light intensity and colour temperature can be adjusted at will.

E-VIEW

The E-View system lets the surgeon adjust the extent of the lit field to get the right type of light for each surgical procedure.



PERFORMANCES

Light intensity at 1m distance (Ec)	Klx	160
Color temperature	K	4.500-5.000
Color rendering index (CRI)	Ra	96
R9		≥ 90
d10 light field diameter where illuminance reaches 10% of Ec	mm	220
Light field diameter adjustable from - to -	mm	140-280
Depth of illumination IEC60601-2-41 (L1+L2) at 60%	mm	600
Depth of illumination IEC60601-2-41 (L1+L2) at 20%	mm	950
Total radiated energy Ee where the illuminance reaches max level	W/m ²	580
Ratio between radiated energy Ee and illuminance Ec	mW/m ² .lx	3,68

ELECTRICAL DATA

Primary alternating voltage (a.c.)	V	100 - 240
Frequency	Hz	50/60
Absorbed power	W	52
Light head diameter	cm	40
No. of LED	Led	30
Average LED life	hours	>60.000

VERSIONS AVAILABLE:



-CEILING SINGLE
Pentaled 30E ceiling

(code **PENTA30ESO**)



-CEILING DOUBLE
Pentaled 30E+30E

(code **PENTA30E+30E**)



-WALL MOUNTED
Pentaled 30E wall

(code **PENTA30EPA**)

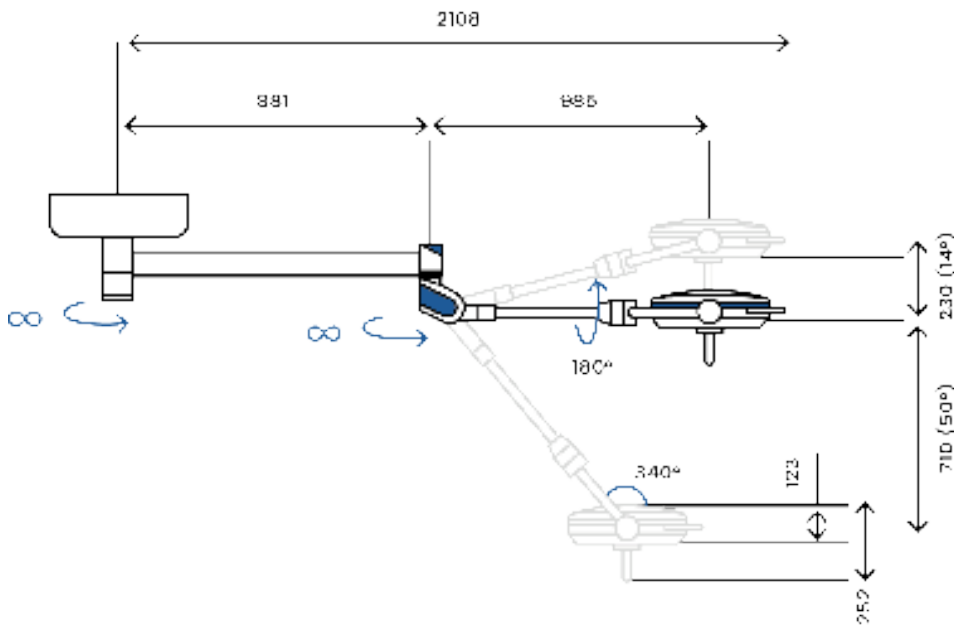
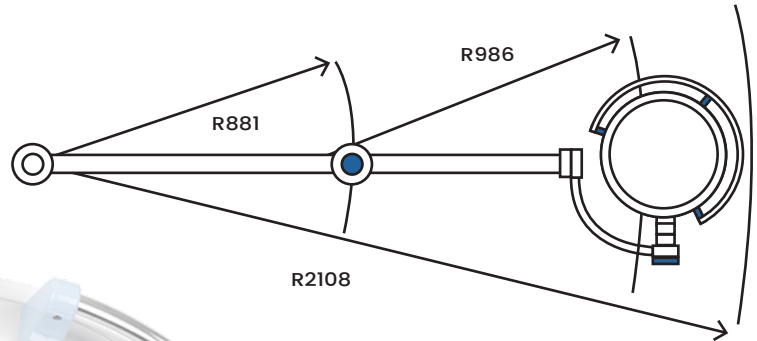


-MOBILE
Pentaled 30E mobile

(code **PENTA30EPI**)

OPTIONAL:

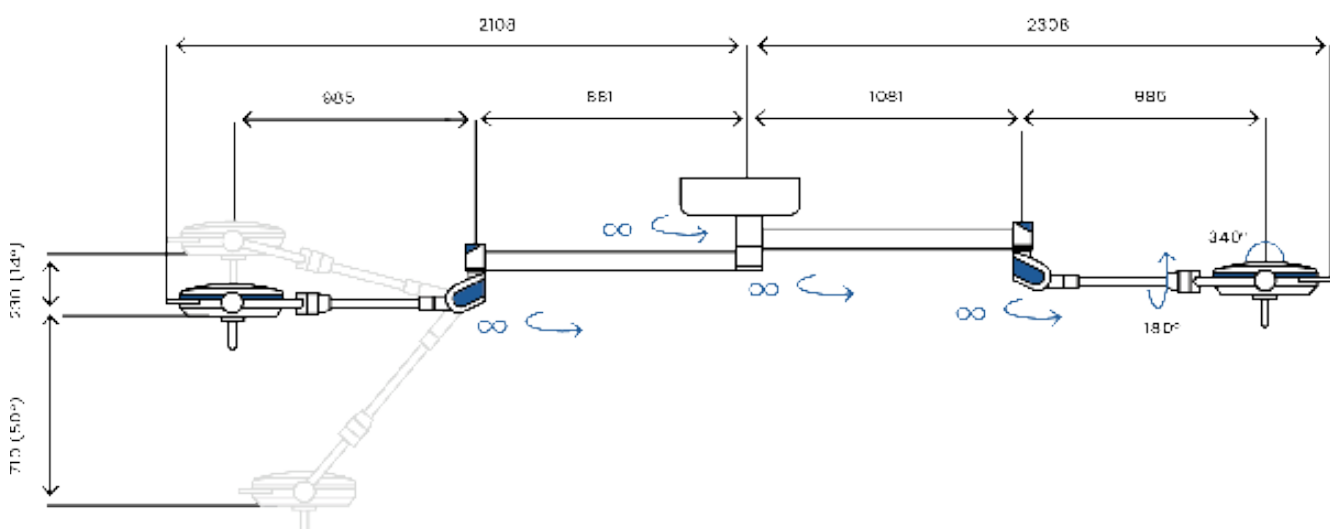
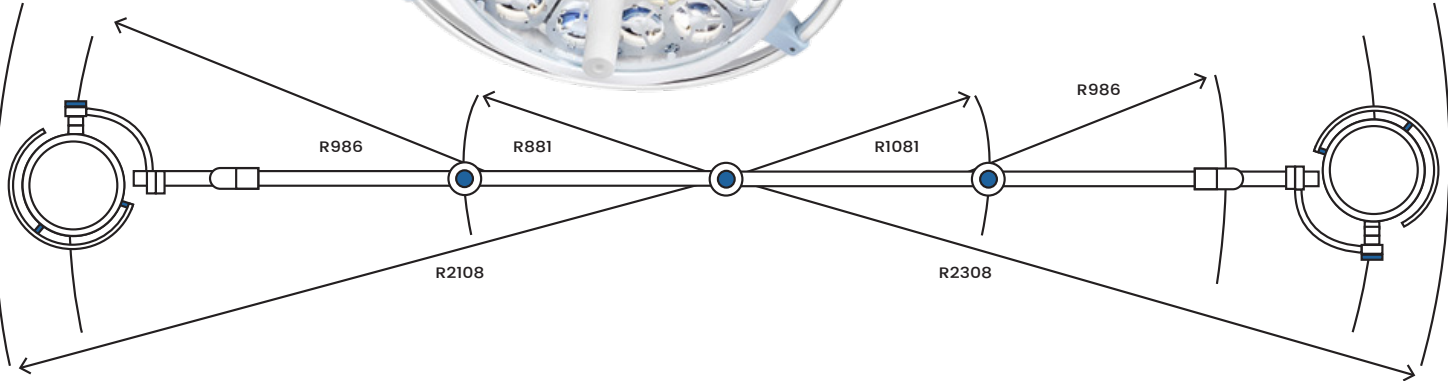
- BATTERY GROUP
- HD CAMERA
- IR remote control
- WALL CONTROL PANEL
- Additional arm for Monitor
- Additional arm for double Monitor



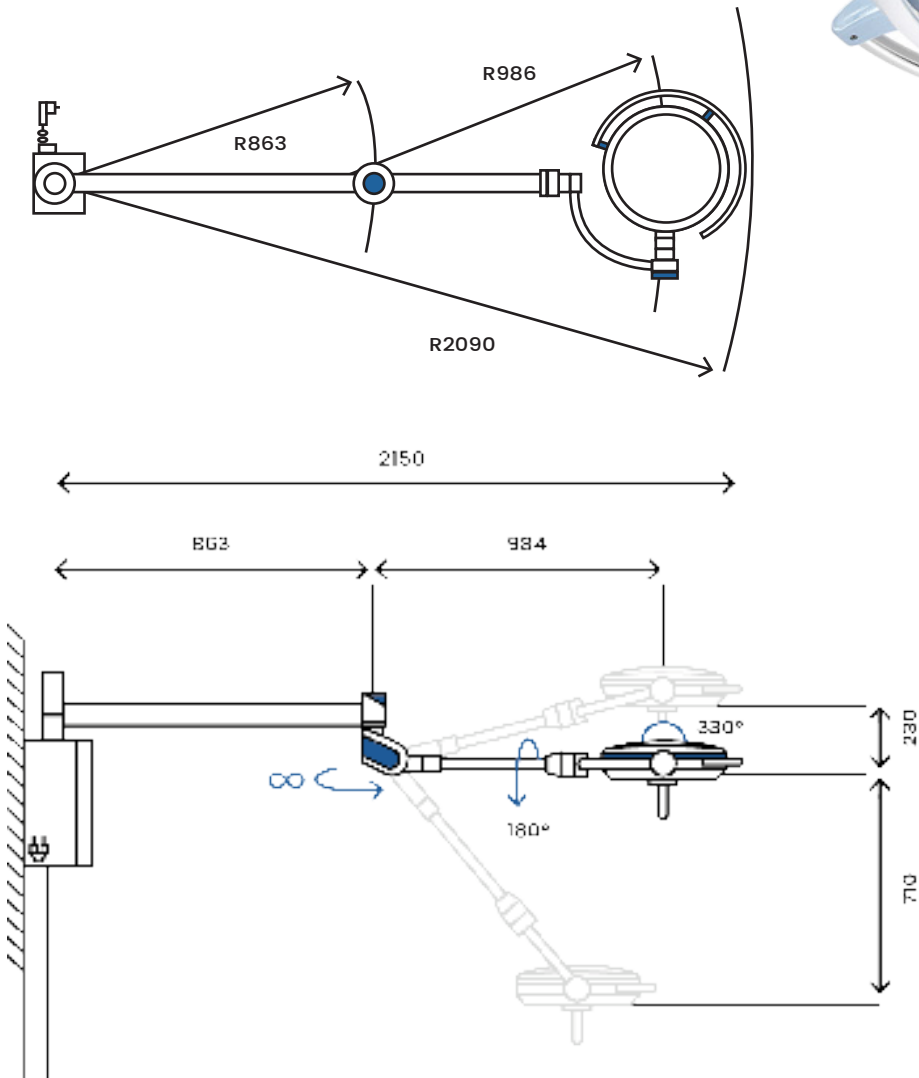
PENTA30ESO



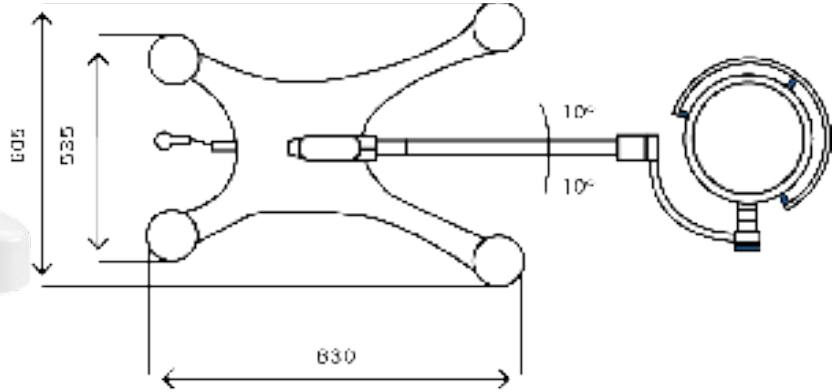
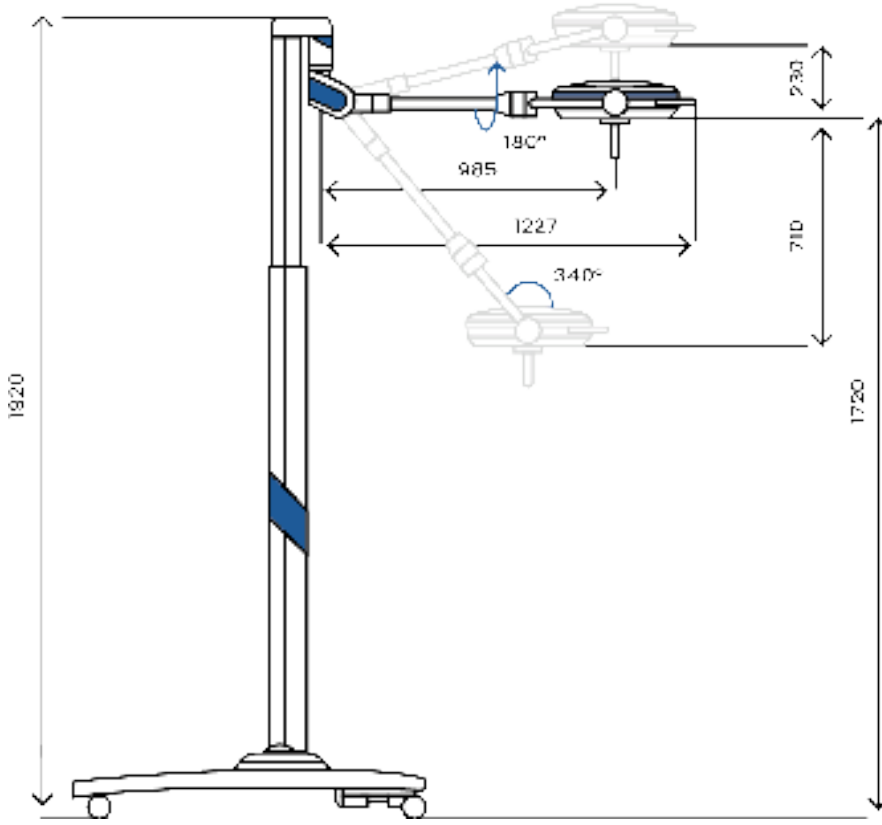
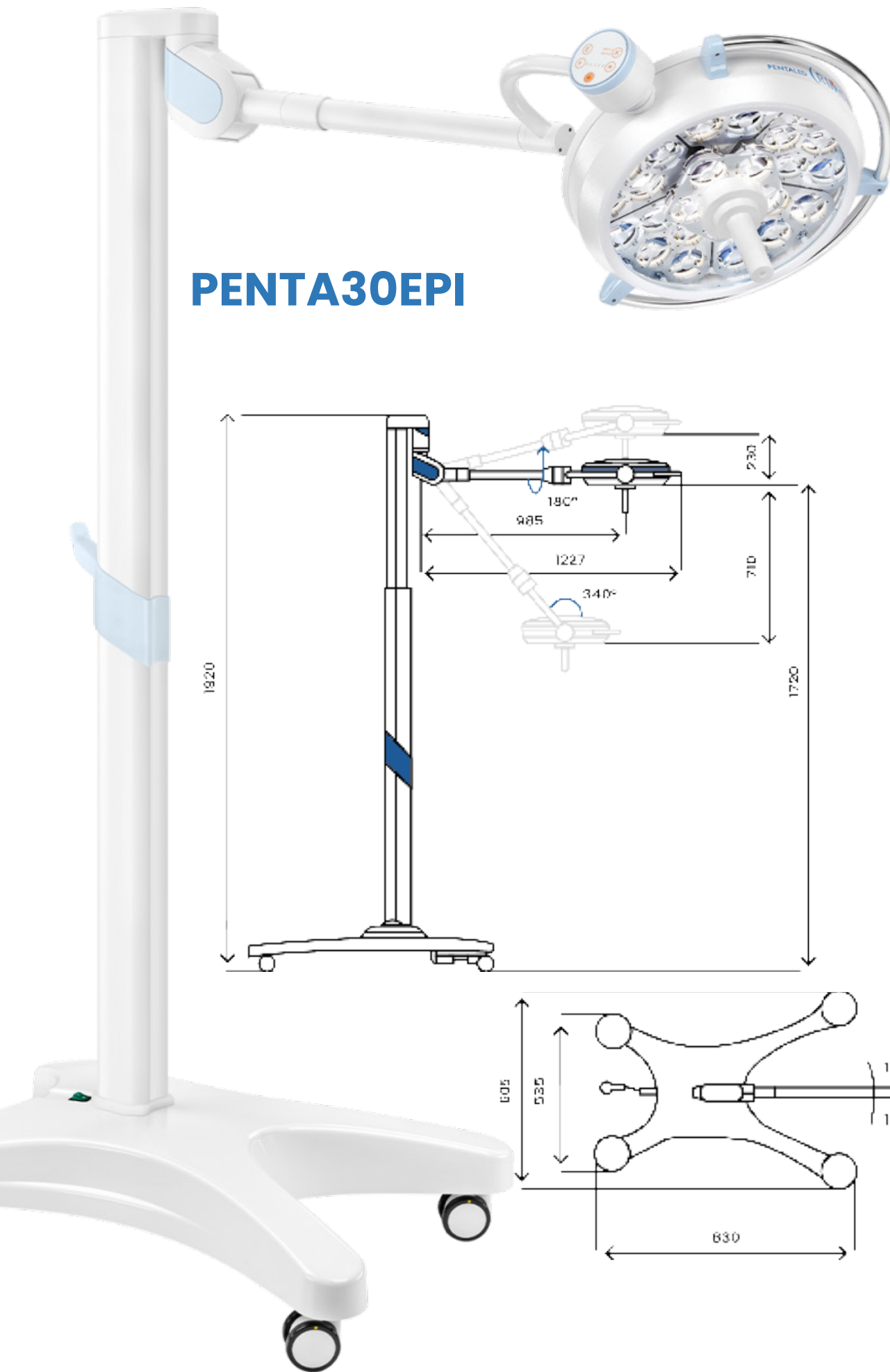
PENTA30E+30E



PENTA30EPA



PENTA30EPI



Via Monterosa, 18 / 22 - 20831 Seregno (MB) - Italy
Ph. (+39) **0362 325709** | Fax (+39) **0362 328559** | E-mail **info@rimsa.it**
www.rimsa.it

Rimsa retains a right to improve the products in the catalogue without notice. Reproduction in part or in whole is forbidden.



Research & component
MADE IN ITALY



RIMSA

Brightening Ideas



www.rimsa.it