

# 4040X AM Antimicrobial examination table

A new antimicrobial general examination table



Product pictured with optional accessories

Main antimicrobial features:

1. No hands needed - height and back section adjustment using a two-piece foot controller
2. Extremely durable antimicrobial upholstery featuring advanced silver ion treatment
3. Frame and accessories coated with special paint to stop the spread of bacteria; some parts made of antimicrobial brass

The popular 4040X general examination table is now available in an antimicrobial version. The difference is in the key surfaces: the table features antimicrobial surfaces designed to stop the spread of bacteria. The antimicrobial 4040X is ideal for any healthcare application where particular attention is given to stopping the spread of infections through touch. The table features completely hands-free height and back section using a two-part foot controller, minimising the need for hand contact. The patented frame design is simple and uncluttered, making cleaning easy.

The extremely low minimum height of the table makes it easier for patients to get onto the table – particularly helpful for children and elderly patients. The table is lightweight and easy to manoeuvre. New motor technology enables the back section to be adjusted electronically as well as manually, if required. The 4040X features the largest height range on the market (40 – 95 cm); together with its impressive load capacity this makes the table excellent for ergonomic working positions and safety, both during examinations and when moving patients. The table features a paper roll holder and cutter as standard, as well as an adapter for an IV-pole (6 different fixing positions). Other accessories are also available.

**LOJER**® Antimicrobial

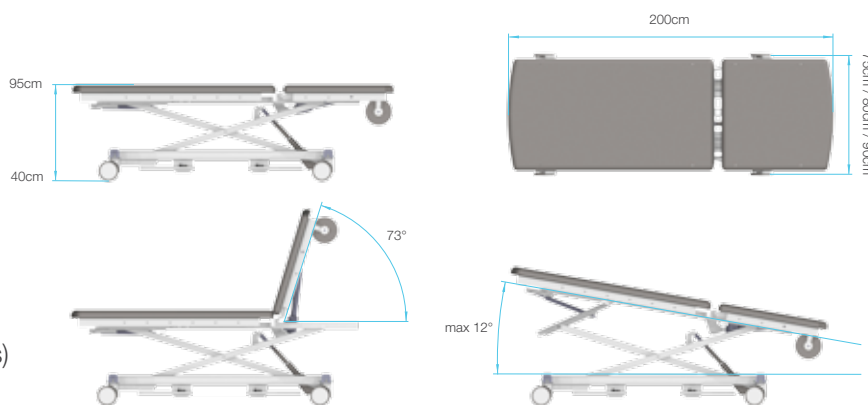
Antimicrobial data ISO 22196, JIS Z 2801, EPA		More information on request
Painted parts	Painted with antimicrobial epoxy powder paint	
Upholstery	Waterproof vinyl and silver ion technology   Several colour options	
Accessories	Painted parts antimicrobial epoxy powder paint, brass parts EPA approved copper alloy	
Technical data		
Total width	75 cm (optional 80 cm and 90 cm)	
Width of upholstery	70 cm (optional 80 cm and 90 cm)	
Total length	200 cm	
Total weight	108 kg	
Height adjustment range	40 - 95 cm	
Back section length	70 cm	
Back section adjustment	0-73°	
Trendelenburg adjustment (optional)	max. 12°	
Casters	Ø125 mm individual locking	
Safe working load (SWL)	210 kg	
Electrical system	24V	
CE-marking	Yes	
Country of Manufacture	Finland	

### Factory installed options:

- Trendelenburg (gas spring assisted)
- Battery power (short-term use)
- Central locking Ø 125 mm or Ø 150 mm twin castors

### Other antimicrobial accessories:

- Side rails
- IV-pole
- Arm rest
- Neck cushion
- Push handles
- Adapter for accessories
- Brass accessory rail  
380 mm x 10 mm x 25 mm (max. 6 units)
- Anaesthesia frame



The HygTech Alliance is a group of six Finnish companies (Lojer Group, Isku, Abloy, Oras, Teknos and Korpinen) developing products and solutions related to hygiene management, which will enable a significant reduction in the rates of hospital infections and other diseases transmitted through contact.

