

Max load: 300kg/660lbs

StandingVest is specially designed for lifting with a standing shell. For the caregiver, it is easy to apply and it gives the patient a feeling of security. It is designed to provide upper-body support and is held in place by leg harness at the groin. StandingVest is designed to activate the patient safely and comfortably.

SystemRoMedic includes a wide range of functional, comfortable, high-quality slings that can be adapted for different types of lifting and for patients with different needs. The slings are available in several different materials and in sizes from XXS to XXL. All models are safe and very easy to use and are rated for lifting patients weighing up to 300 kg. The choice of model and material depends on the patient's needs and the transfer situation.



Functional inspection

Visual and mechanical inspection

Check the condition and function of the sling regularly. Always inspect the product after laundering. Check to ensure that seams and material are free from damage. Check to ensure that fabric is not worn or faded. Apply load to the device and check to ensure that clasps, handles, etc. withstand heavy load. If there are signs of wear, the product must be discarded.



Always read the manual

Always read the manuals for all assistive devices used during a transfer.

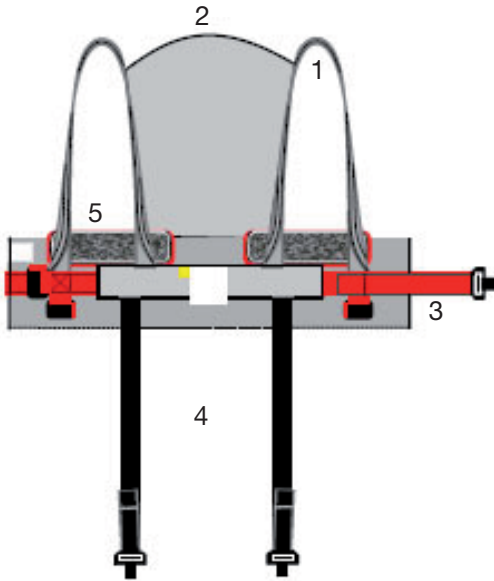
Keep the manual where it is accessible to users of the product.

Do not leave the patient unattended during a transfer situation.

To prevent discomfort and the risk of the patient sliding out of the sling, trial fit the sling carefully. First, apply the sling's back loops to the slingbar, and then apply the leg support loops. Use a slingbar that has been tested.

The lowest allowable safe working load always determines the safe working load of the assembled system. Always check the safe working loads for the lift and accessories before use. Contact your dealer if you have any questions.

Description of StandingVest

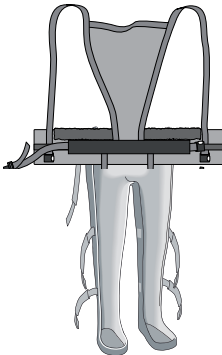


StandingVest consists of:

1. Lift loops (grey)
2. Back/head support
3. Waist belt (red)
4. Leg harness (black)
5. Padding for vest

The lift loops are connected to the slingbar. The waist belt and leg harness are equipped with a quick-release buckle for easy application. The leg harness is fitted around the thighs, from back to front. The lift vest is padded at arm height to prevent pressure and chafing.

Placement of the StandingVest when the patient is lying down in a standing shell



Place the RoMedic StandingVest under the standing shell, and then place the patient in the standing shell according to the standing shell instructions. Then put the patient's arms through the lift loops on the StandingVest. The mid-section of the StandingVest should align with the patient's spine and provide support for the head.



The waist belt is fastened and adjusted.

Placement of the leg harness when the patient is lying down in a standing shell

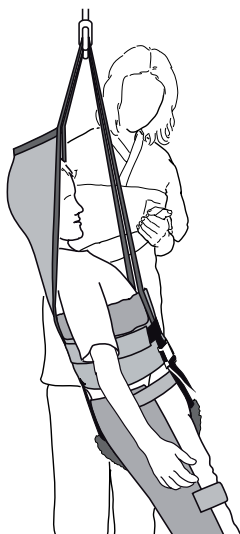


When the vest is placed around the patient's upper body, the leg harness is applied from the side and under the thighs up to the groin.



The leg harness is fastened at the front.

Rising to a standing position



Prepare the patient by explaining the procedure.

Connect the arm loops to the slingbar and start to lift.

Never leave the patient unattended during a lifting situation. Always be attentive to the patient's signals. Stop raising if the patient is uncomfortable.

The standing shell should be secured according to the standing shell instructions while the lift stabilizes the patient.

When the patient is standing securely, the lift can be lowered and the StandingVest removed.

Material:

Polyester: Durable material with low friction. Withstands high laundry temperatures.

Care of the product:

Read the product label.



Do not use rinsing agent.
To prolong product life, avoid
tumble-drying.

Size information

Size		XS/Orange	S/Red	M/Yellow	L/Green	XL/Purple
Lift vests	cm	82	96	110	122	130
range	inch	32	38	43	48	51
Rec. user	lbs	33-88	44-110	88-132	110-176	154-220
weight	kg	15-40	20-50	40-60	50-80	70-100

Contact your local distributor if you have any questions about the product and its use. See www.handicare.com for a complete list of distributors. Always make sure that you have the right version of the manual. The most recent editions of manuals are available for downloading from our website, www.handicare.com.

Handicare AB

Veddestav. 15. Box 640 Tel: +46 (0)8-557 62 200

SE-175 27 Järfälla Fax: +46 (0)8-557 62 299

SWEDEN

Internet: www.handicare.com

E-mail: info@handicare.se

