

## Features

The NewCare pediatric beds are specially designed for using in hospitals, clinics and other related uses. and as its name suggests, specially designed for children.

Alguna de sus características principales son:

- Easy transport:

Light weight, with high rolling, wear and rust resistance. It has a minimum noise emission whilst moving.

Centralized braking system by a braking bar located in the footboard area.

- Easy and intuitive handling:

Depending on the bed options, the bed can have a wired control for the patient and another with function blocking and pre-programmed functions for the nursing staff.

The bed can have a battery and it works in case the main power Fails or the bed is unplugged. It allows to do more than 300 complete movements..

- Encourage the patient welfare due to:

X-ray transparent backrest section, X-ray ready Extensible bed base, up to 20 cm..

Double regression system, it reduces the pressure in the pelvic area, way to decrease the pressure ulcers risk (165 mm).

It has a feet positioning system to place the patient feet by a hinge.

- Other improvements:

HPL hand removable bed base divided in 4 sections. Like the bed, it is easy to clean, with great protection against the growth and spread of bacteria.

Polypropylene made side rails with grip zone and folding system by rastomat. All to facilitate sitting up and getting out the bed.

It has an easy to remove headboard and foot-

board with blockage system.

Linear actuators with IP66 protection.

Cylindrical side guards on all four corners avoids the shocks, minimize impacts and bed deterioration.

Totally customizable vinyls.

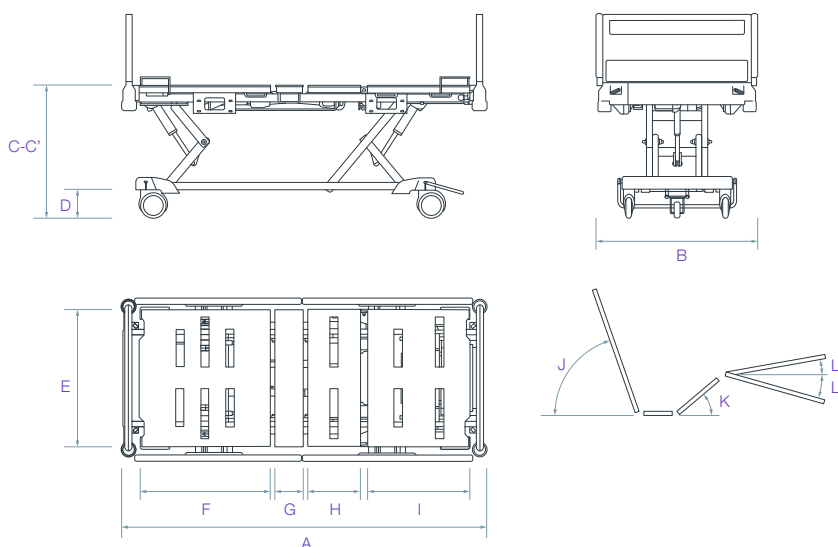
Furthermore, Newcare bed has a wide range of accessories and complements that enable to comply with all the needs of a hospital room and intensive care units.



## Technical information

|  |                           |
|--|---------------------------|
| Total length with headboard and footboard (A)                    | 1870 mm. ± 10 mm.         |
| Total width with rails (B)                                       | 970 mm. ± 10 mm.          |
| Minimum / maximum bed base height (without mattress) (C / C') ** | 440 / 800 mm. ± 10 mm.    |
| Extremities section extensible length                            | 300 mm.                   |
| Under bed clearance (D) **                                       | 170 mm.                   |
| Bed base section length (F, G, H, I)                             | 640 / 170 / 320 / 420 mm. |
| Bed base width (E)   | 830 mm.                   |
| Wheels diameter  | 125 mm.                   |
| Backrest tilting angle (J)                                       | 70° ± 5°                  |
| Legrest tilting angle (K)  | 47° ± 2°                  |
| Footrest tilting angle (L / L')                                  | 18° / 7° ± 2°             |
| Auto-return  | 165 mm. ± 10 mm.          |
| Trendelenburg / Antitrendelenburg                                | 13° / 14° ± 2°            |
| Maximum patient weight (MPW)                                     | 185 kg.                   |
| Safe working load (SWL)  | 250 kg.                   |
| Bed unladen weight   | 125 kg.                   |

\*\* This heights can vary ± 40 mm. according to the bed configuration (wheels model, etc)



## Electrical information

|  |                            |
|--|----------------------------|
| Lifting system                                 | By linear motors           |
| Backrest lifting system                        | By linear motor            |
| Extremities lifting system                     | By linear motor            |
| Voltage and frequency                          | 230 V / 50 - 60 Hz         |
| Electric shock protection / liquid penetration | Class II / Type B / IPX6   |
| Maximum consumption                            | Max. 3 15A (maximum 400 W) |
| Motor intermittent operation                   | 10% 2 min. - 18 min.       |

## Standard

| Controls        | Protection          | Transport                   | Wellness              | Others | Accessories    |
|-----------------|---------------------|-----------------------------|-----------------------|--------|----------------|
| Patient control | Full length rails   | Ø125 mm simply cover        | Lifting feet rastomat |        | IV Pole        |
|                 | Removable headboard | Centralise braking          |                       |        | Trapeze bar    |
|                 |                     | Short extremities siderails |                       |        | Tiltable table |

## Optional

| Controls               | Protection | Transport               | Wellness            | Others      | Accessories  |
|------------------------|------------|-------------------------|---------------------|-------------|--------------|
| Nurse control          |            | Ø150 mm simply integral | Lifting feet spring | Brake alarm | Tank holder  |
| Nurse blocking control |            | Brake pedal             |                     | Battery     | Balkan frame |
| Lifting pedal          |            |                         | Under bed lighting  |             |              |